

Bridge #1



Rugged Circuits LLC
Copyright 2010

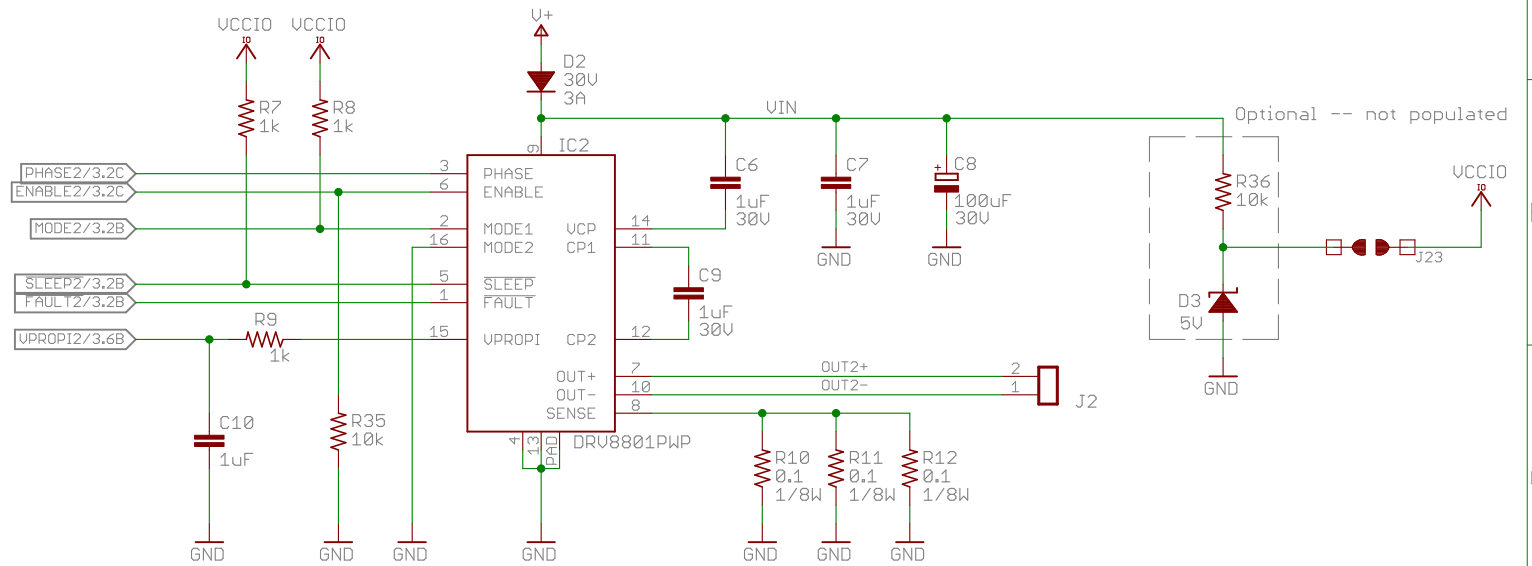
TITLE: rmc

Document Number:
Rugged Motor Driver

REV:
C

Date: 11/19/10 9:52 PM

Sheet: 1/3



Bridge #2

Rugged Circuits LLC
Copyright 2010

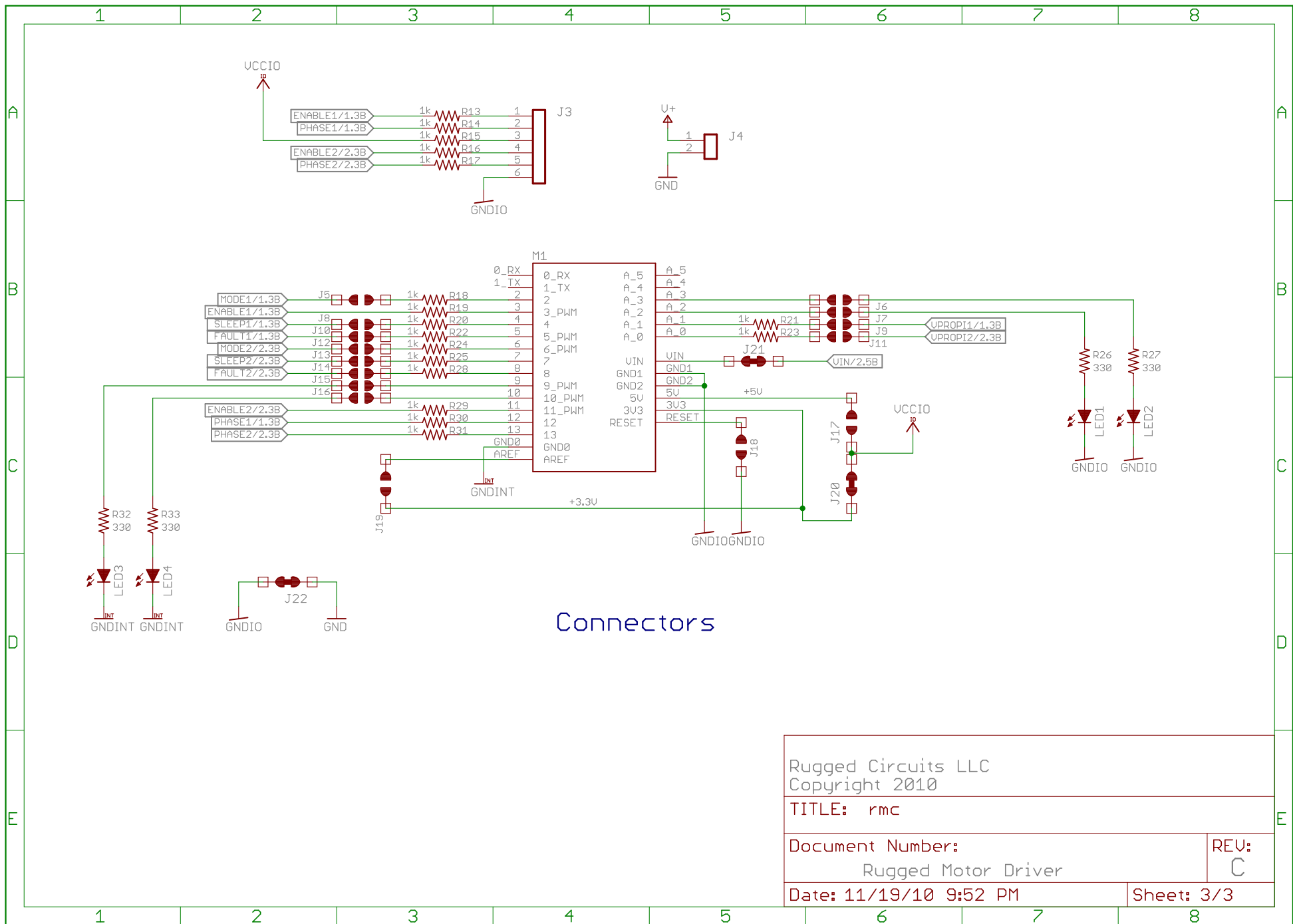
TITLE: rmc

Document Number:
Rugged Motor Driver

REV:
C

Date: 11/19/10 9:52 PM

Sheet: 2/3



Connectors

Rugged Circuits LLC Copyright 2010	
TITLE: rmc	
Document Number: Rugged Motor Driver	REV: C
Date: 11/19/10 9:52 PM	Sheet: 3/3