

Bridge #1



Rugged Circuits LLC  
Copyright 2011. All Rights Reserved.

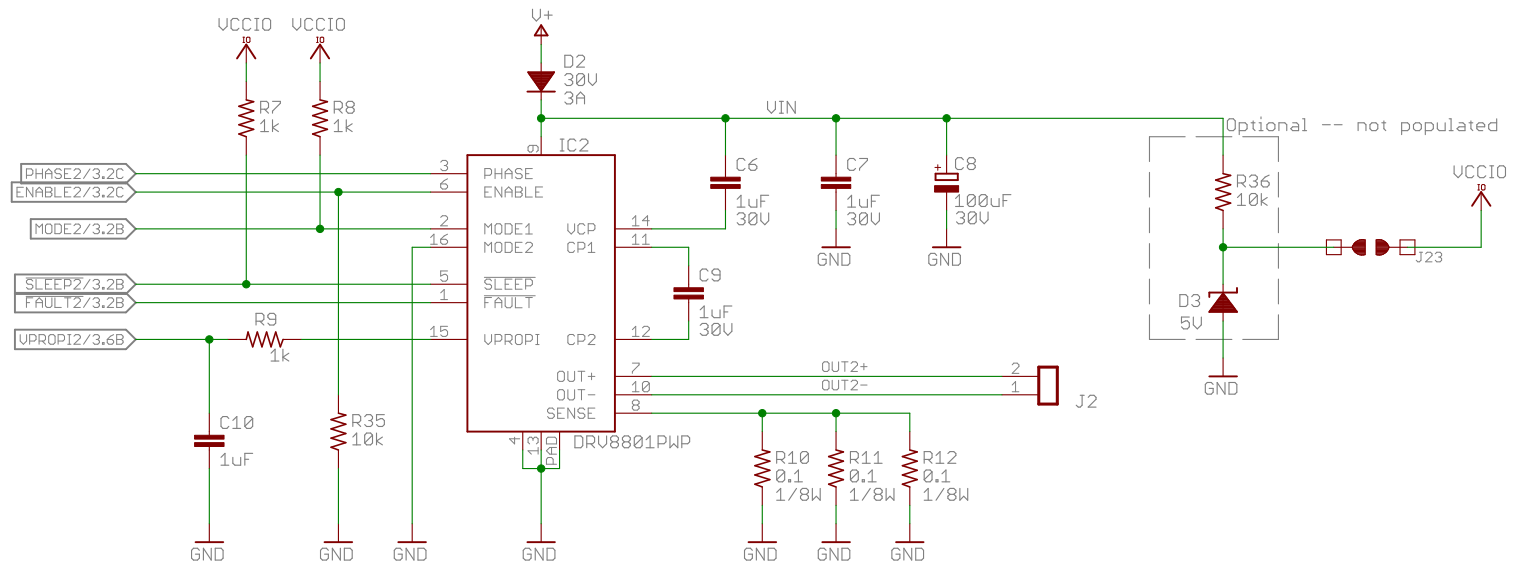
TITLE: ad030

Document Number:  
Low Power Motor Driver

REV:  
D

Date: 3/5/11 9:27 PM

Sheet: 1/3



Bridge #2

Rugged Circuits LLC  
 Copyright 2011. All Rights Reserved.

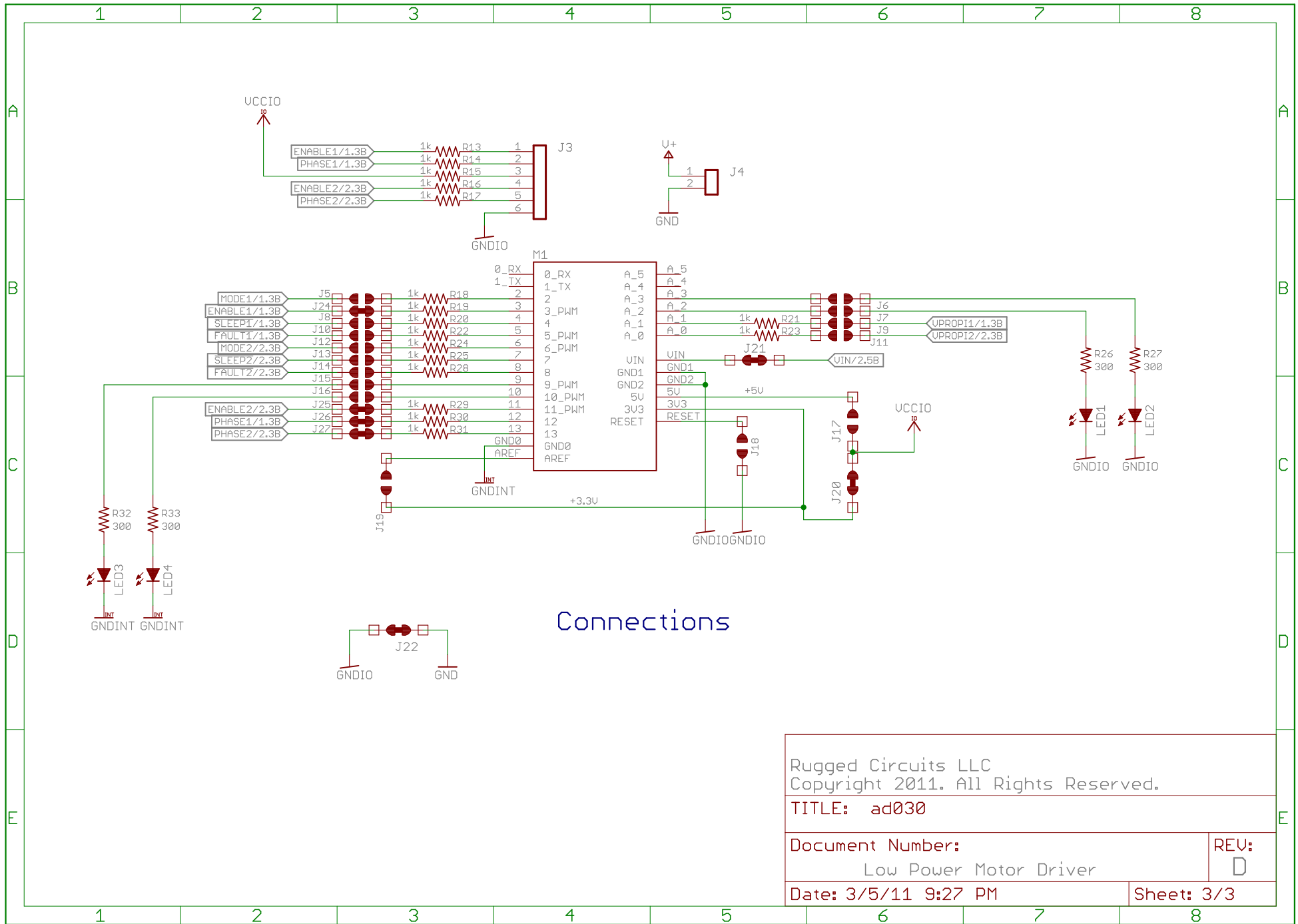
TITLE: ad030

Document Number:  
 Low Power Motor Driver

REV:  
 D

Date: 3/5/11 9:27 PM

Sheet: 2/3



## Connections

Rugged Circuits LLC  
 Copyright 2011. All Rights Reserved.

TITLE: ad030

Document Number:  
 Low Power Motor Driver

REV:  
 D

Date: 3/5/11 9:27 PM

Sheet: 3/3